

Rack Mount Units (RM Series)



Our 19-inch 1U Rackmount units are perfect for rack and cabinet applications. These units are 19 inches in length and are constructed of heavy-duty steel. Units are available with outlets on the front or rear and all models have "ears" for ease of mounting. Custom 15" & 23" Rackmounts available.

Features

- Black Textured Finish
- Twist Lock Available
- Lifetime Warranty

- Standard 15 or 20 Amp Receptacles
- UL 60950 and UL 1363
- Indicator (Pilot) light option available

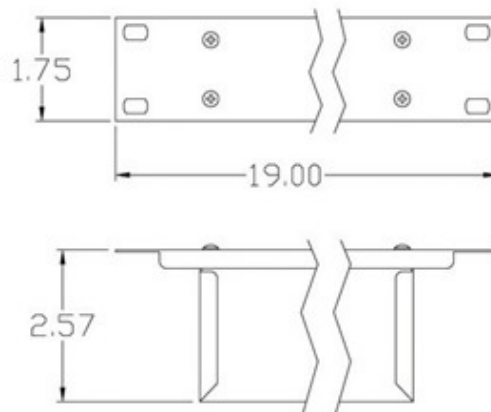
[Printable PDF](#)



Model No.	Outlets	Electrical Rating	On/Off Switch	Cord Length	Dimensions
RM 120	6 Front	125 V, 60 Hz, 15 Amps	Yes	6'	19" x 1 ^{3/4} " x 2 ^{3/4} "
RM 130	6 Front	125 V, 60 Hz, 15 Amps	Yes	15'	19" x 1 ^{3/4} " x 2 ^{3/4} "
RM 220	6 Rear	125 V, 60 Hz, 15 Amps	Yes	6'	19" x 1 ^{3/4} " x 2 ^{3/4} "
RM 230	6 Rear	125 V, 60 Hz, 15 Amps	Yes	15'	19" x 1 ^{3/4} " x 2 ^{3/4} "
RM 240	8 Rear	125 V, 60 Hz, 15 Amps	Yes	6'	19" x 1 ^{3/4} " x 2 ^{3/4} "
RM 250	8 Rear	125 V, 60 Hz, 15 Amps	Yes	15'	19" x 1 ^{3/4} " x 2 ^{3/4} "
RM 280	8 Rear/6 Front	125 V, 60 Hz, 15 Amps	Yes	6'	19" x 1 ^{3/4} " x 2 ^{3/4} "
RM 290	8 Rear/6 Front	125 V, 60 Hz, 15 Amps	Yes	15'	19" x 1 ^{3/4} " x 2 ^{3/4} "

20 Amps - UL 1363, 16 Amps UL 60950

RM 720	6 Front	125 V, 60 Hz, 20 Amps	Yes	6'	19" x 1 ^{3/4} " x 2 ^{3/4} "
RM 730	6 Front	125 V, 60 Hz, 20 Amps	Yes	15'	19" x 1 ^{3/4} " x 2 ^{3/4} "
RM 740	6 Rear	125 V, 60 Hz, 20 Amps	Yes	6'	19" x 1 ^{3/4} " x 2 ^{3/4} "
RM 750	6 Rear	125 V, 60 Hz, 20 Amps	Yes	15'	19" x 1 ^{3/4} " x 2 ^{3/4} "



Optional: Pilot Light (PL), Twist Lock (TL)